

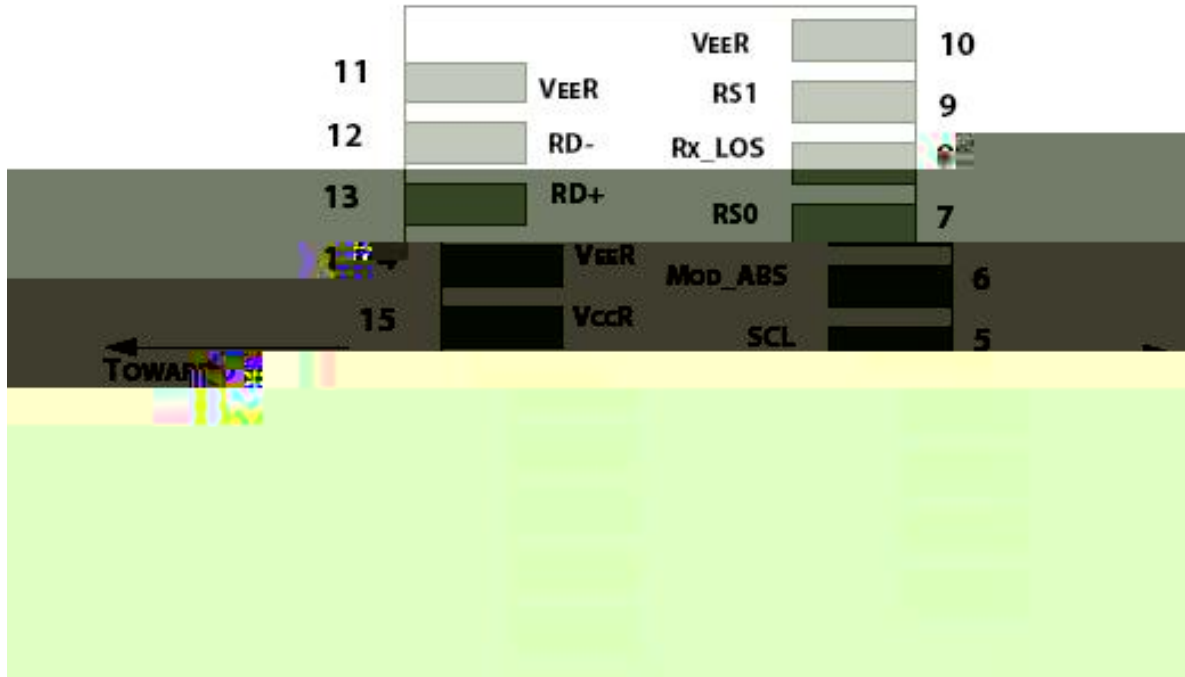


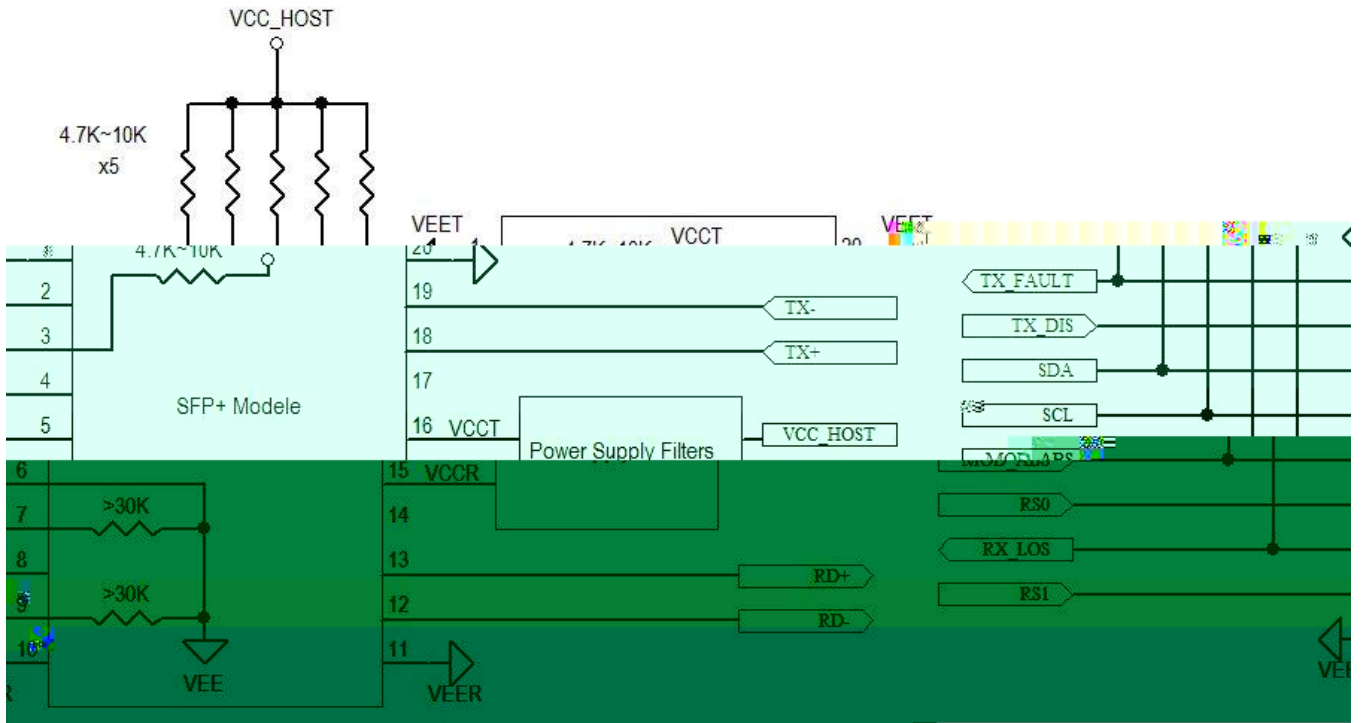
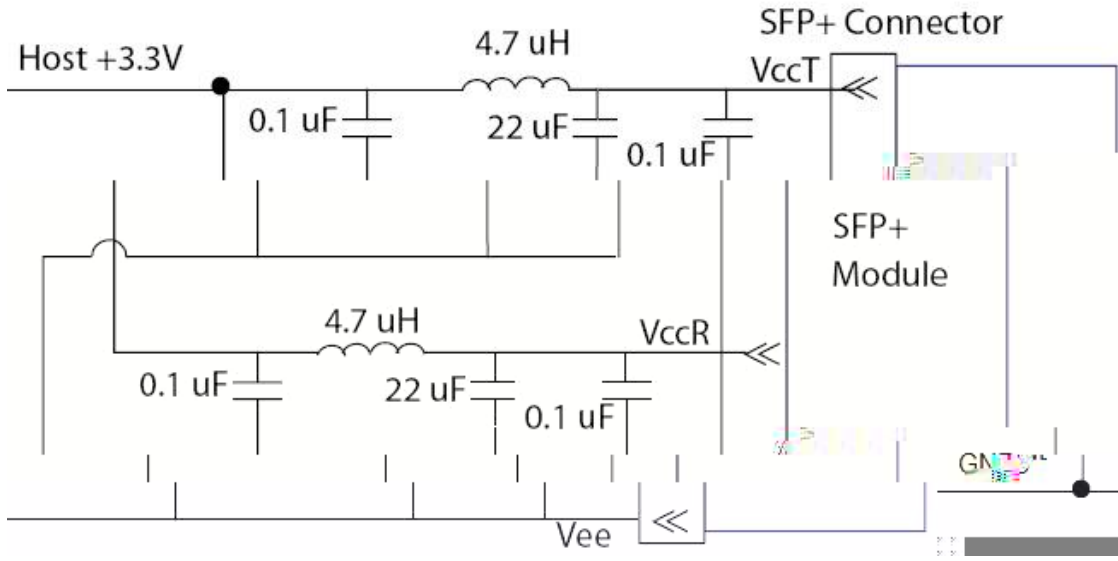
Fiber type	Minimum modal bandwidth @ 850 nm (MHz*km)	Operating range (meters)
62.5 μ m MMF	160	2 to 26
	200	2 to 33
62.5 μ m MMF	400	2 to 66
	500	2 to 82
	2000	2 to 300

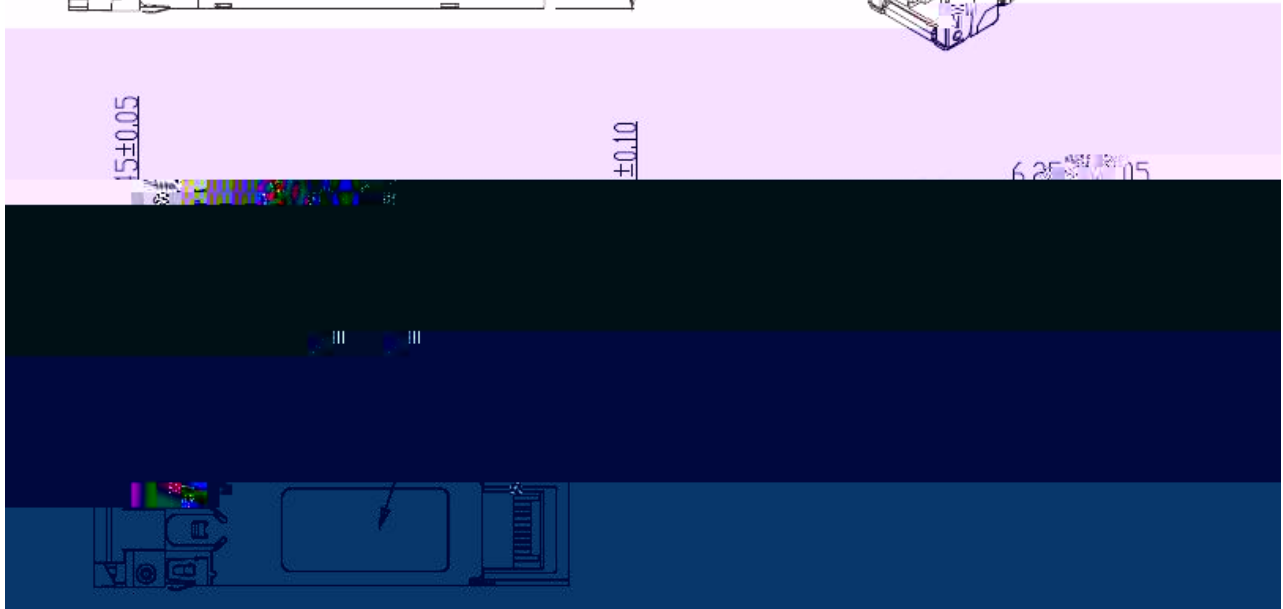
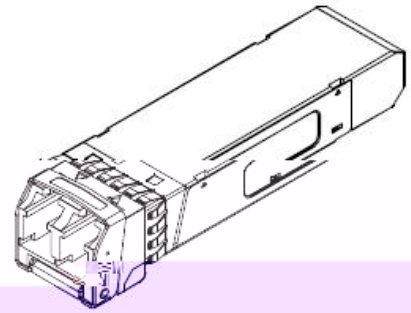
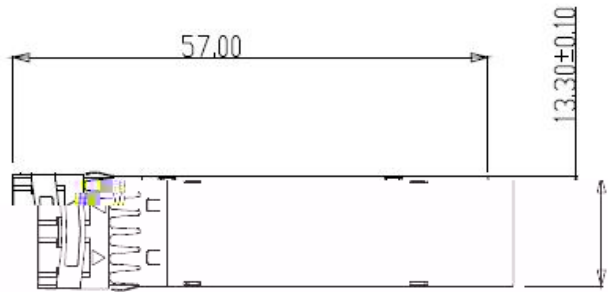


				o
				o

					o









F-tone Networks

F-TONE GROUP
